



ASSENS®
Listen to your senses

CATALOG 2026

EN 

WHO IS ASSENS?

ASSENS was created with the vision to provide heating, cooling and water supply solutions that are reliable and efficient but also accessible to everyone. Years of experience in the industry have helped us understand the importance of maintaining a comfortable indoor environment, whether at home or at work. Our team is constantly working to innovate and improve our products, ensuring they meet the highest standards of quality and performance.

ASSENS presence in the world:



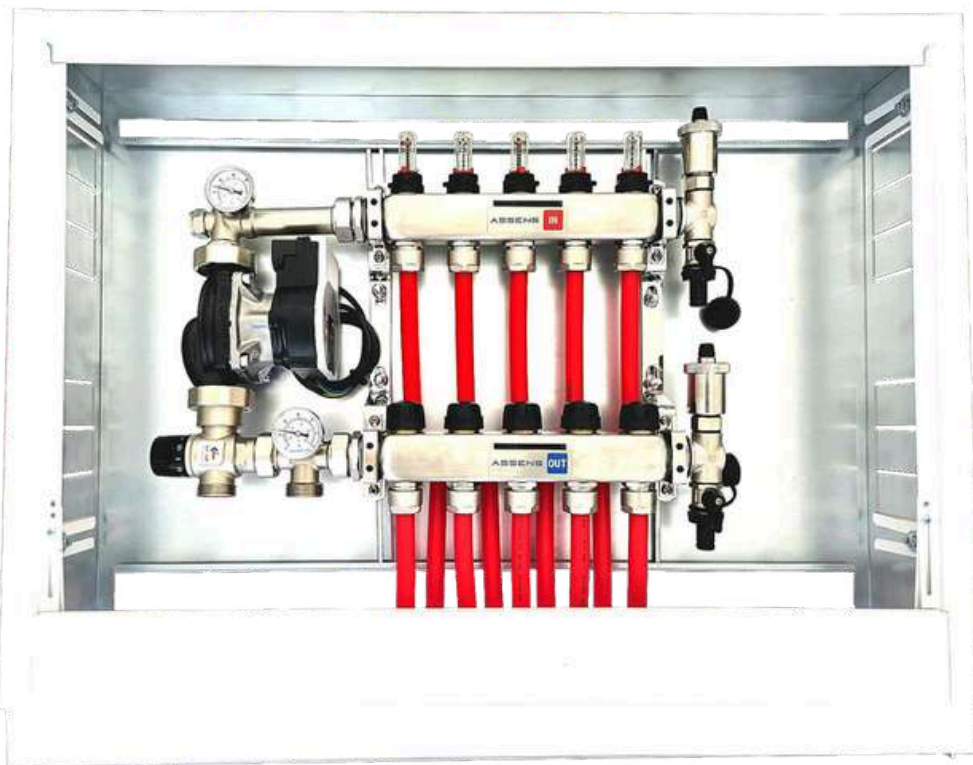
Our Commitment:

- **Quality:** We use high quality materials and the latest technologies to provide products that stand the test of time.
- **Accessibility:** Our goal is to provide high-quality solutions and products accessible to everyone, without the need for compromise.
- **Trust:** We prioritize the needs of our partners and strive to exceed their expectations with every product we offer.

* The prices expressed in this catalog are in Euro without VAT!

UNDERFLOOR HEATING

In their current configuration, underfloor heating systems appear at the beginning of the 20th century. The English professor Baker is the first to obtain a patent entitled "System of heating premises with hot water carried through pipes under the floor". The actual development of the system takes place immediately after World War II, with the reconstruction campaign in Europe.



The most important benefits of underfloor heating are the following:

- Provides comfortable and even warmth underfoot, eliminating cold spots and drafts
- It operates at a lower temperature than traditional radiators, reducing energy consumption and utility bills.
- It is more hygienic as it prevents dust mites and mold growth. It saves space and allows more flexibility in furniture placement as there are no radiators on the walls.
- Can be used with most floor surfaces and divided into zones for increased comfort.

5-LAYER PEX-A PIPE FOR UNDERFLOOR HEATING WITH EVOH OXYGEN BARRIER

- 5-layer PEX-A pipe made of high temperature resistant peroxide cross-linked polyethylene.
- Made with EVOH (ethylene vinyl alcohol) coating for resistance to oxygen diffusion.
- In conformity with DIN 4726 – ISO 21003 and ISO 17455.
- Color: red
- Maximum temperature: 95°C.
- Minimum temperature: -40°C.
- Sanitary use
- Excellent oxygen barrier properties



Code	Dimensions	Color	mt/roll	Price
301016	16x2	red	600	0.89
301216	16x2	white	600	0.89
301017	17x2	red	600	0.95
301217	17x2	white	600	0.95

* Other sizes and colors available upon request!



Certification
AENOR
Confía

PE-RT TYPE II 5 LAYER PIPE, FOR UNDERFLOOR HEATING WITH EVOH OXYGEN BARRIER



- Long life span - minimum 50 years
- Low roughness coefficient (0.0005 mm), reduced hydraulic losses, reduced possibility of sediment deposition.
- Total resistance to corrosion, high pressures and temperatures
- Optimal thermal conductivity coefficient PE-RT TYPE II 0.4 W/mK
- High flexibility - minimum bending radius is 5x the outer diameter of the pipe.
- Hygienic: PE-RT type II are non-toxic, ideal for potable water systems.

Applications:

- Heating systems (max. 6 bar and 90°C)
- Floor / wall / ceiling heating
- Cooling systems (5/12°C)



Code	Dimensions	Color	mt/roll	Price
300010	16x2	red	600	0.60
300011	17x2	red	600	0.63



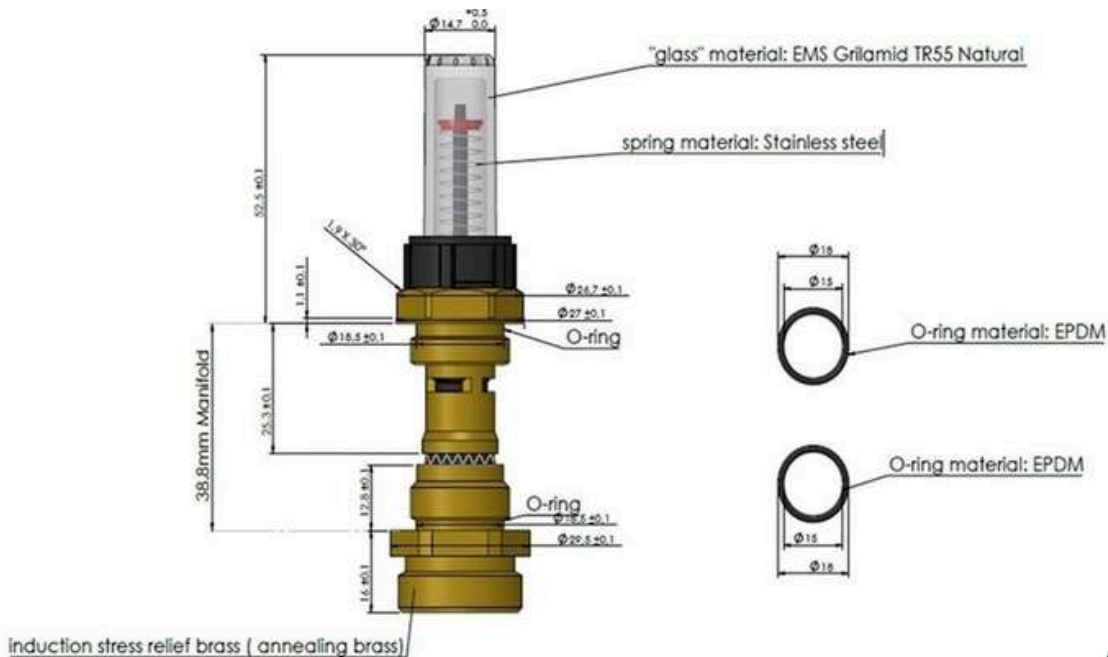
MANIFOLDS FOR UNDERFLOOR HEATING SYSTEMS



A manifold for underfloor heating system is among the most important element of the entire system. It's a multi-functional alternative that helps to perform the assembly steps efficiently. Its main role is to control temperature, flow and implicitly to reduce maintenance costs.

Flow meter glass material: natural EMS Grilamid TR55 that offers UV and LX protection

Flow meter spring material: stainless steel



STAINLESS STEEL MANIFOLD

The pre-assembled stainless steel manifold consists of a supply bar and a return bar with 1" internal thread. The supply bar and return bar are mounted with a sound-absorbing element on the brackets.



Code	Circuits	Dimensions	Interax	Price
108702	2	1"-3/4" EK	210	68.85
108703	3	1"-3/4" EK	210	82.88
108704	4	1"-3/4" EK	210	94.04
108705	5	1"-3/4" EK	210	109.23
108706	6	1"-3/4" EK	210	125.77
108707	7	1"-3/4" EK	210	140.19
108708	8	1"-3/4" EK	210	153.65
108709	9	1"-3/4" EK	210	168.65
108710	10	1"-3/4" EK	210	183.87
108711	11	1"-3/4" EK	210	198.75
108712	12	1"-3/4" EK	210	214.24
108713	13	1"-3/4" EK	210	240.10
108714	14	1"-3/4" EK	210	254.77
108715	15	1"-3/4" EK	210	269.42
108716	16	1"-3/4" EK	210	284.06
108717	17	1"-3/4" EK	210	298.80
108718	18	1"-3/4" EK	210	313.41

The supply bar contains:

- flow regulators (displayed value 0 - 5l/min) for accurate flow regulation without tools. The flow volume can be read through the transparent inspection glass
- 2 to 18 nickel-plated outlets with 3/4" euroconus thread
- 1 set of nickel plated 1/2" fill/drain valves with automatic air vent.
- temperature display

The return bar contains:

- thermostatic valves for actuators (M30 x 1.5mm, valve stroke 2.9mm) with protective caps
- 2 to 18 nickel-plated outlets with 3/4" euroconus thread
- 1 set of nickel plated 1/2" fill/drain valves with automatic air vent.
- temperature display

RADIATOR/SANITARY MANIFOLDS

Pre-assembled manifolds, suitable for radiator heating systems where independent control is required. Made from stainless steel or brass. These manifolds are designed for faster and more efficient installation, allowing you to minimise the number of joints and simplifying commissioning and maintenance control.



Code	Circuit no.	Dimensions	Interax	Price
129702	2	1"-3/4" EK	210	68.50
129703	3	1"-3/4" EK	210	82.29
129704	4	1"-3/4" EK	210	94.96
129705	5	1"-3/4" EK	210	108.35
129706	6	1"-3/4" EK	210	122.50
129707	7	1"-3/4" EK	210	136.51
129708	8	1"-3/4" EK	210	149.59
129709	9	1"-3/4" EK	210	164.18
129710	10	1"-3/4" EK	210	178.75
129711	11	1"-3/4" EK	210	193.39
129712	12	1"-3/4" EK	210	208.47

MIXING UNIT WITH ADJUSTABLE TEMPERATURE 20°C - 43°C

Mixing unit group with adjustable temperature 20°C - 43°C

- **Maximum temperature Tour:** 43°C
- **Maximum working pressure:** 10 bar
- **Pump Connections:** 1-1/2"
- **Manifold Connections:** 1"

The group is composed of:

- **Circulation pump**
- **Thermostatic mixing valve**
- **Flow thermometers**
- **Manual air vent**
- **Fittings for manifold**



Code	Pump	Price
109976	Without pump	81.73
109979	Wilo Yonos Para 25-60/130	245.38
109980	Grundfos UPM3S Auto 25-60/130	255.20

ASSENS EVO-BOX STEEL MANIFOLD CABINETS

The flush mounted cabinets for the manifold ensures protection and easy access. The location of the metal box depends on the place where the manifold is installed, it is recommended to instal the manifold at an equal distance from each heating circuit for the most uniform and efficient heat distribution.

Material: Galvanized steel

Locker: Coin (key on order)



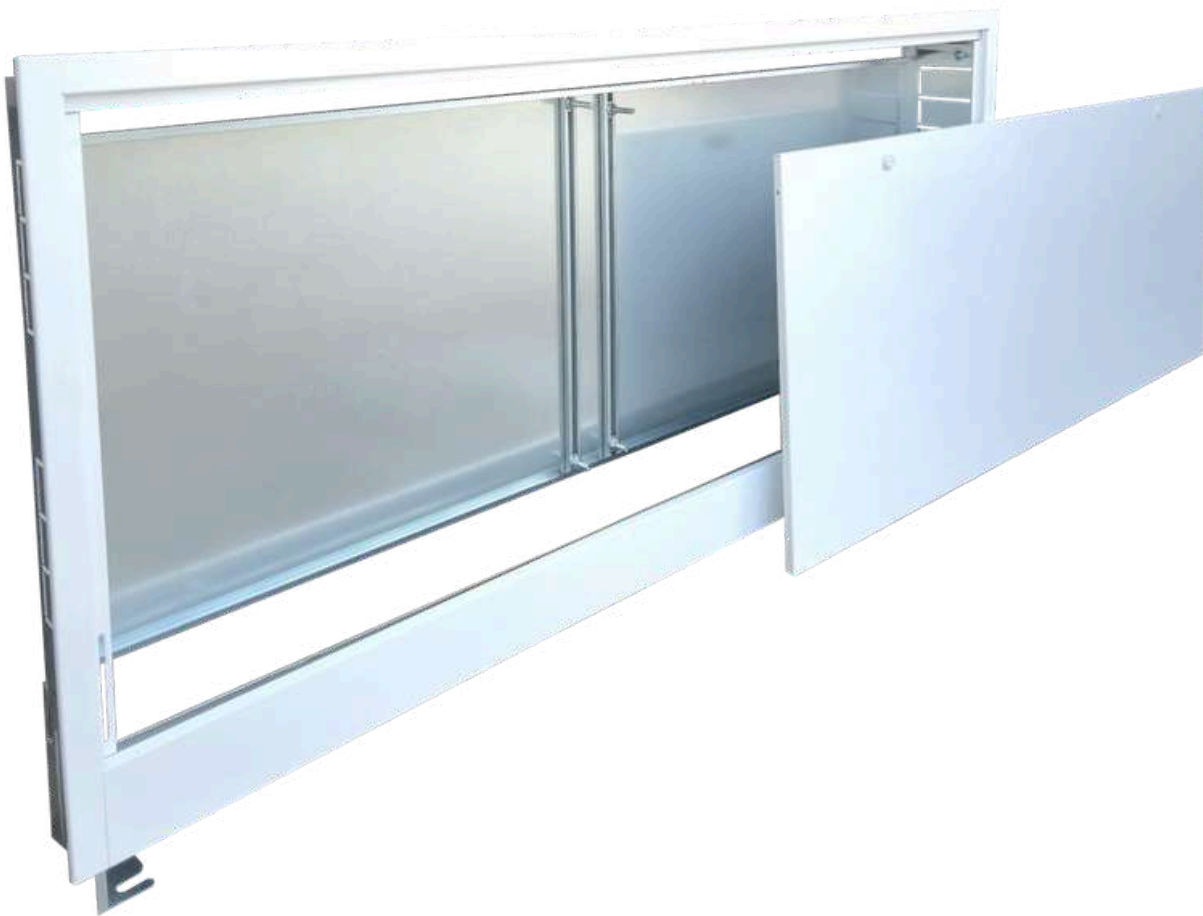
Code	Type	INT-EXT dimensions (cm)			Door dimensions (mm)		Price
		width	height	depth	depth	height	
500020	EVO-0	335	575-665	110-160	323	451	46.35
500021	EVO-1	435	575-665	110-160	423	451	50.19
500022	EVO-2	565	575-665	110-160	553	451	57.12
500023	EVO-3	715	575-665	110-160	703	451	63.08
500024	EVO-4	795	575-665	110-160	783	451	68.85
500025	EVO-5	965	575-665	110-160	953	451	81.73
500026	EVO-6	1140	575-665	110-160	1128	451	89.81

ASSENS ECO-BOX STEEL MANIFOLD CABINETS

The flush mounted cabinets for the manifold ensures protection and easy access. The location of the metal box depends on the place where the manifold is installed, it is recommended to instal the manifold at an equal distance from each heating circuit for the most uniform and efficient heat distribution.

Material: Galvanized steel

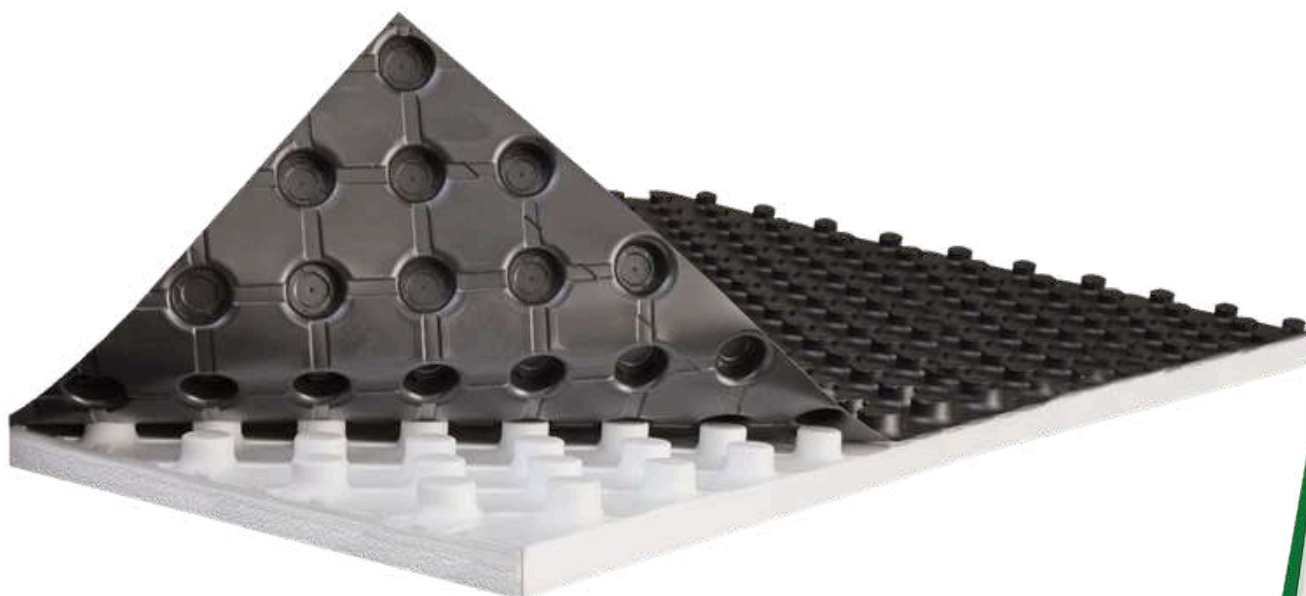
Locker: Coin (key on order)



Code	Type	INT-EXT dimensions (cm)			Door dimensions (mm)		Price
		width	height	depth	depth	height	
500010	ECO-0	335	575-665	110-160	323	451	46.54
500011	ECO-1	435	575-665	110-160	423	451	49.04
500012	ECO-2	565	575-665	110-160	553	451	54.62
500013	ECO-3	715	575-665	110-160	703	451	60.77
500014	ECO-4	795	575-665	110-160	783	451	65.00
500015	ECO-5	965	575-665	110-160	953	451	75.96
500016	ECO-6*	1140	575-665	110-160	1128	451	84.23

* 1mm thickness galvanized sheet

POLYSTYRENE BOARDS FOR MOUNTING UNDERFLOOR HEATING SYSTEMS



CASTELLATED PANELS WITH OR WITHOUT EPS INSULATION

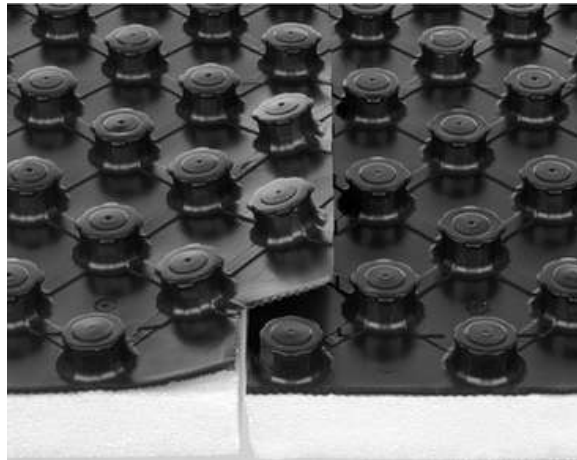
Expanded polystyrene insulation panels, without CFCs and HCFCs, joined with rigid film with knobs, 0.6mm in accordance with EN13163, for the realization of the underfloor heating system. The panels with knobs without insulation are easy to join thanks to the rigid foil made of 1mm polystyrene, to create the underfloor heating system.

Material: Expanded polystyrene

Knob height: 23 mm

Pitch: 50mm

Panel dimensions: 1400 mm x 800 mm



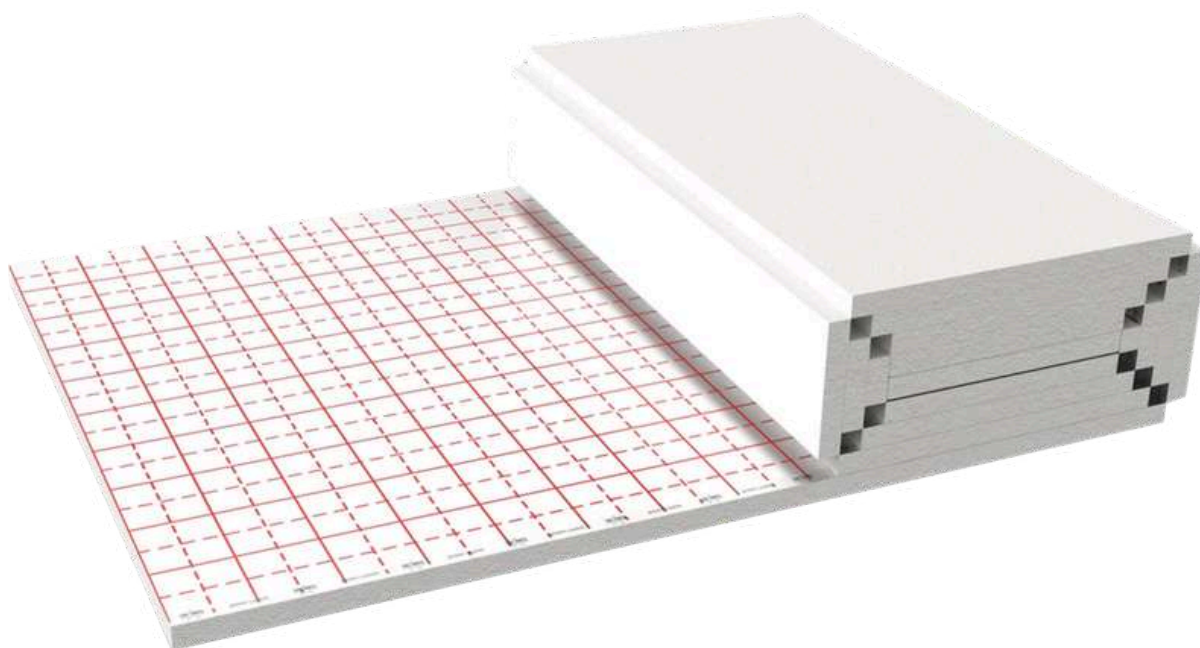
Code	Density	Thickness	Panels/box	sqm/box	sqm/pallet	Price/sqm
100610	EPS 120	10/33	14	15.68	109.76	7.98
100620	EPS 120	20/43	10	11.20	78.40	8.92
100630	EPS 120	30/53	8	8.96	62.72	10.77
420000	foil without EPS	N/A	22	24.64	197.12	11.35

PIPE FIXING BUCKLE FOR CASTELLATED PANELS

Code	Dimensions (mm)	Bag	Box	Price
119999	28x90x14	100	5000	6.35



TACKER EPS INSULATION WITH PP FOIL AND ADHESIVE TAPE



Expanded polystyrene boards are used as thermal, acoustic and moisture-resistant insulation for wet underfloor heating systems in residential and commercial buildings. The main advantage of the boards is the tear resistance at the upper level of the fabric foil layer. It is extremely important in the case of pipes with low flexibility that require stronger insulation fixation. The boards are made of EPS covered on one side with polypropylene fabric foil. To facilitate the proper distribution of heating pipes during installation, there is a marking on the upper side of the fabric with straight, and dotted lines. The adhesive tape located on one side of the foil helps to stick the foil to the tacker boards.

Material: Expanded polystyrene with polypropylene fabric foil

Thermal conductivity: 0.037W/mK

Fire resistance class: F

Panel dimensions (cm) : 500 cm (L) x 100 cm (l) x 2,0/2,5/3,0 cm (h)

Packing quantity: 5 mp

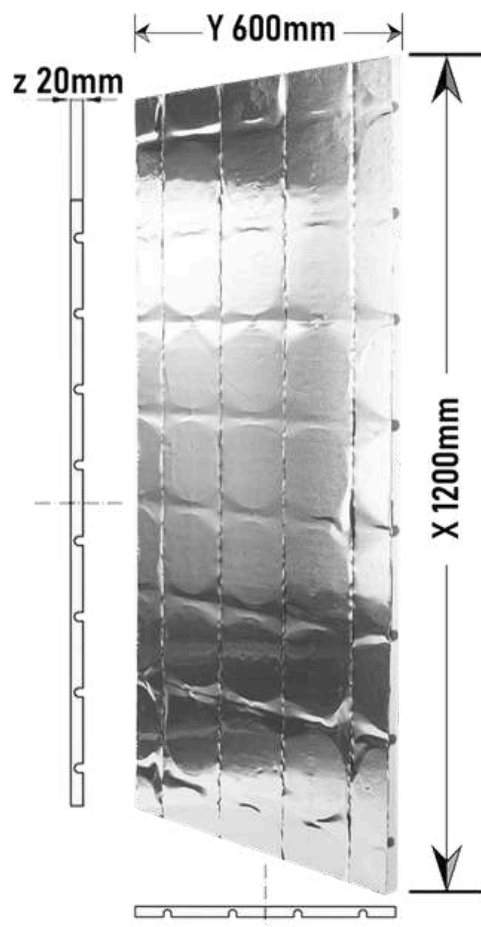
Code	Density	EPS (mm)	sqm/box	sqm/pallet	Price/box
400820	80	20	10	140	20.65
400825	80	25	10	120	22.62
400830	80	30	10	100	25.18
401020	100	20	10	140	21.71
401025	100	25	10	120	24.03
401030	100	30	10	100	26.83

DRY UNDERFLOOR HEATING SYSTEM

The dry heating system was created specifically for areas where the classic, i.e. wet system cannot be used. For example, when renovating old buildings or when new construction technologies with wooden beam floors are used, which allow for a reduced load, which excludes the application of heavy cement screeds. The dry underfloor heating system is light but at the same time durable. Also, this type of system has a reduced thickness, making it ideal for spaces that require a limitation on the floor height. Another advantage of this system is the speed with which it can be worked on, even after the installation is completed and the necessary pressure test has been performed. This is a great advantage over the wet system, in which drying requires at least 3 weeks, during which the desired floor finishes cannot be applied.

Characteristics:

- usable together with common 16mm or 17mm pipes
- interax 150mm



Code	Density	Pcs/pallet	Sqm/pallet	Price/pcs
440000	EPS 400	200	144	21.15

RENOVATION SYSTEM – SELF-ADHESIVE CASTELLATED PLATES

Self-adhesive castellated plates for underfloor heating allows the installation of a wet floor layer up to 3 cm high. This type of installation is dedicated to renovated buildings and other typical buildings where the conditions make it impossible to install a classic underfloor heating system due to the total installation height.

Benefits:

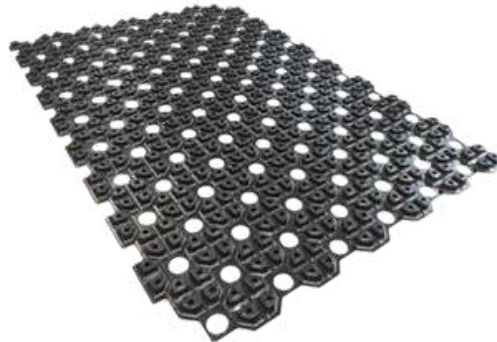
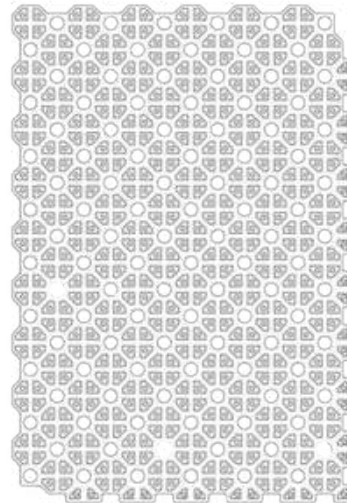
- Can be used with regular 16 mm diameter pipes and related accessories
- Fully adhesive back for quick installation
- Large panel for easy installation: 0.85m²
- Installation height including screed – 3 cm
- Low weight/sqm
- Low inertia, similar with heating system with aluminum radiators

Installation method:

It installs quickly and easily with the bottom being fully adhesive. Installation of these types of panels requires less labor and accessories to fix them to the ground. The tiles, after being connected to each other and mounted on the floor, create a complete mesh.

Concrete pouring:

With the technology of anhydrite concrete containing gypsum, an underfloor heating system with excellent heat transfer is created with only 30 mm total height including concrete. Thanks to this technology, pouring concrete is a quick and easy process with automatic leveling, the concrete is stable, less shrinkage and environmentally friendly.



Code	Dimensions	Price/pcs
430000	1120X760mm	15.38

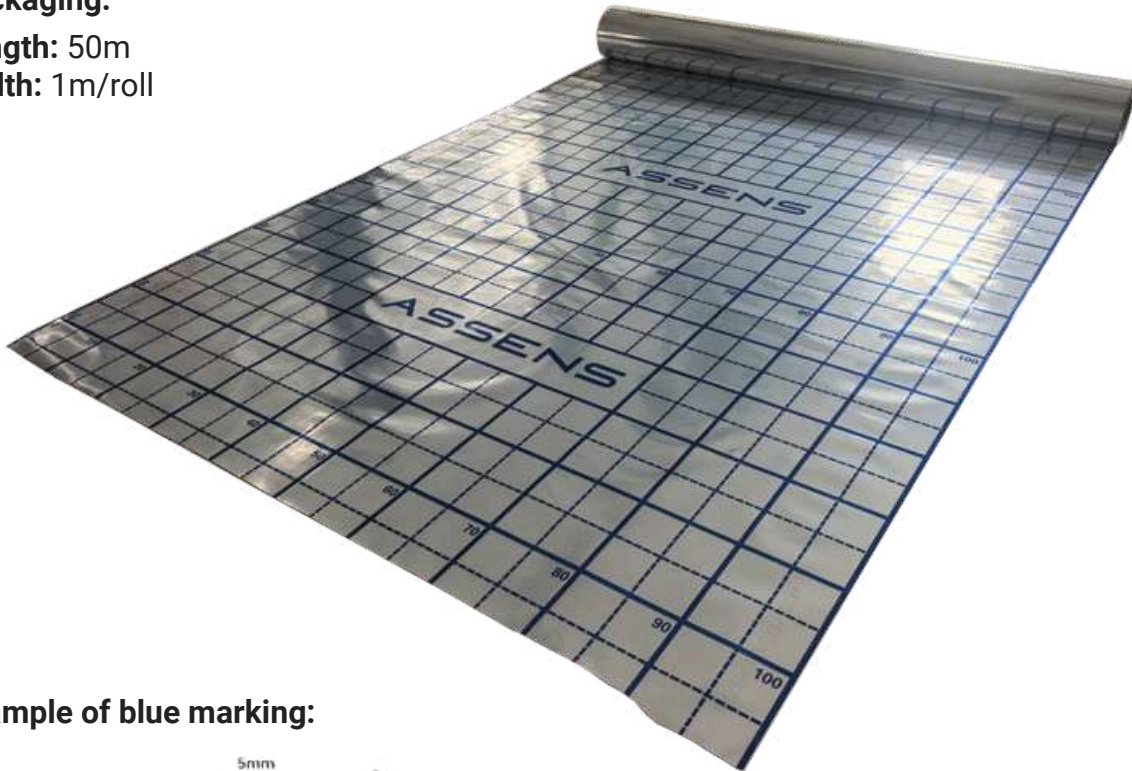
ALUMINIZED FOIL

Aluminized foil with 5cm interax blue marking, for wet underfloor heating systems. The blue marking helps during installation to maintain the desired distance between the pipes by simply following the stripes.

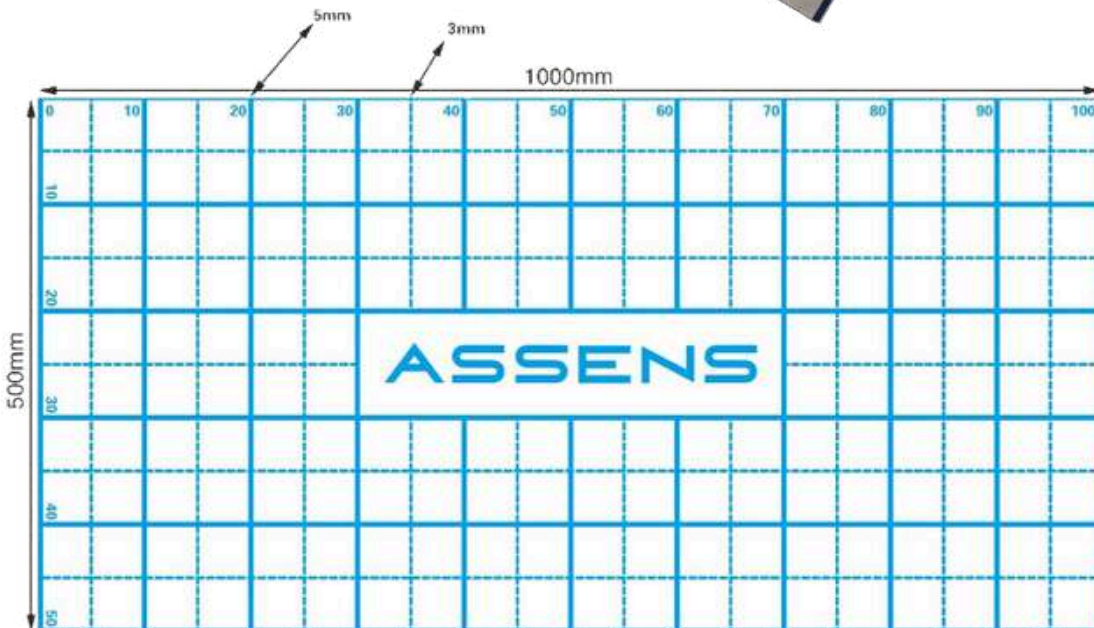
Packaging:

Length: 50m

Width: 1m/roll



Example of blue marking:



Code	Sqm/roll	Thickness (mm)	Price/roll
109914	50	0.105	30.00

PERIMETER EDGING STRIPS WITH FOIL AND ADHESIVE

The perimeter strip is mounted at the connection point of the screed and the vertical construction elements. The perimeter strip is also applicable for separating the heating zones in the underfloor heating system. The use of perimeter tape protects against heat loss and provides acoustic insulation. The thickness of the perimeter strip is 8mm, it is pre-cut to facilitate removing the surplus left after pouring the screed.

Material: LPDE foam



Code	Color	Adhesive (cm)	Dimensions/roll	mt/box	Price/mt
109942	yellow	3	80cm x 150xm x 25m	100	0.47
109941	blue	3	80cm x 150xm x 25m	100	0.50
109939	grey	3	80cm x 150xm x 25m	100	0.50
109946	grey	15	80cm x 150cm x 60m	480	0.92
109944	blue	15	80cm x 150cm x 60m	480	0.92

NICKEL-PLATED BRASS EUROCONUS CONNECTOR

Code	Size	Thread	Box	Price
110016	16x2	3/4" EK	200	1.53
110017	17x2	3/4" EK	200	1.63
109920	20x2	3/4" EK	200	2.12



PIPE GUIDE BEND

The pipe guide bend allows the installation of the heating pipes in a 90° angle. It can be used to guide pipes through floors, ceilings or to the manifolds. It holds and directs the pipe to the manifolds.



Material: Fiberglass with polyamide

Code	Dimensions	Work temperature	Pcs/box	Price/pcs
119914	14-18mm	0°C-65°C	20	0.42

TACKER CLIPS FOR FIXING THE HEATING PIPE ON THE EPS

Tacker clips are used to fix underfloor heating pipes to the insulating layer. These clips are specially designed to work with the tacker gun which eases the installation work and shortens the installation time. The length of the clips are used to fix the pipe depending on the thickness of the insulation layer used. The clips are connected to each other by welding without adhesive tape.



Material: Polypropylene

Code	Dimensions	Pcs/box	Box/carton	Price/box
109906	35mm	720	20	5.19
108906	40mm	300	28	5.19
109907	50mm	250	28	5.77
109908	60mm	300	20	10.38

PLUG FOR LEAK PROOF WITH EXTERNAL THREAD AND EPDM GASKET

Code	Color	Thread	Pcs/box	Pcs/masterbox	Price/pc
100507	red	1/2"	20	560	0.30
100500	blue	1/2"	20	560	0.30



DILATATION PROFILE WITH SELF-ADHESIVE RAIL AND FOAM

The expansion profile with self-adhesive rail is used to separate the heating zones in underfloor heating systems. Prevents cracking of concrete and finishing layers. The profile is equipped with an adhesive tape that facilitates its installation on the floor.

Perimeter strip thickness: 10mm

Length: 200cm

Material: LDPE foam, Polypropylene

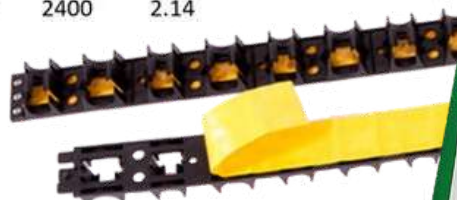


Code	Dimensions (mm)	mt/pallet	Pallet weight (kg)	Price/set
129900	2000x40x104	1.000	440	13.20

* One set includes 200 cm of rail and foam

SELF-ADHESIVE PLASTIC RAIL FOR 16-18mm PIPE

Code	Rail length (cm)	Dimensions (cm)		Weight (kg)		Quantity (mt)		Price/mt
		box	box	pallet	box	pallet		
109999	100 (two pcs. of 50)	100x45x24	18.5	450	100	2400	2.14	



PLASTICIZER ADDITIVE FOR CONCRETE

The screed additive increases the plasticity of the screed, avoiding the appearance of cracks in the screed.

Method of use:

The screed additive is dosed in a percentage of 0.5 - 1% of the amount of cement used to obtain the screed. Mix for about 5 minutes until homogenization. The obtained screed has a workability of 75 min.



Code	Quantity	Price
100511	5L	11.35
100509	10L	22.12

PIPE DECOILER WITH TRANSPORT BAG

The decoiler is used for quick unwinding of the pipe during the installation of the underfloor heating system. The device facilitates and accelerates the work of an installer and increases the comfort of work. Very easy assembly and disassembly of the device allows its quick movement from one place to another. The decoiler allows the use of pipe coils up to 600ml.



Material: galvanized steel

Code	Price
610000	201.54

TACKER DEVICE FOR CLIPS

The device is ergonomic, used to effectively fix the heating pipe to the tacker EPS using the clips. Available clip sizes are 35, 40, 45,50 or 60 mm. It has a suitable adjustment system that protects the clips from falling out of the device.

Advantages:

- Assembled and ready to use
- High efficiency and comfort
- Device reliability
- Easy to use
- Solid aluminum construction
- Resistance to destruction



Code	Price
100503	101.91

MULTILAYER PIPES AND PRESS FITTINGS



PERT/AL/PERT PIPE WITH 6-10MM INSULATION - BLUE

Code	Dimensions	Aluminium (mm)	Color	mt/roll	Price/mt
300211	16X2	0,20	blue	50	1.32
310211	16x2	0,20	blue	100	1.32
300212	20X2	0,30	blue	50	1.92
300213	26X3	0,40	blue	50	3.40
300214	32X3	0,40	blue	25	4.38
301315	32x3	0,40	blue	50	4.38



PERT/AL/PERT PIPE WITH 6-10MM INSULATION - RED

Code	Dimensions	Aluminium (mm)	Color	mt/roll	Price/mt
300311	16X2	0,20	red	50	1.32
310311	16x2	0,20	red	100	1.32
300312	20X2	0,30	red	50	1.92
300313	26X3	0,40	red	50	3.40
300314	32X3	0,40	red	25	4.38
300315	32x3	0,40	red	50	4.38



PEXB/AL/PEXB PIPE WITH 6-10MM INSULATION - WHITE

Code	Dimensions	Aluminium (mm)	Color	mt/roll	Price/mt
310111	16X2	0,20	white	50	1.53
310112	20X2	0,30	white	50	1.94
310113	26X3	0,40	white	50	3.65
310114	32X3	0,40	white	25	5.19



BRASS TEE WITH INTERNAL THREAD

Code	Dimensions	Bag	Carton	Price
700810	16x1/2"x16	10	70	4.42
710810	16x3/4"x16	10	50	6.46
700811	20x1/2"x20	10	50	5.56
700812	20x3/4"x20	10	50	9.56
700813	26x3/4"x26	5	30	13.04
700814	32x1"x32	5	20	18.50
700815	40x1-1/4"x40	2	10	38.69
700816	50x1-1/2"x50	2	6	68.22



BRASS TEE WITH EXTERNAL THREAD

Code	Dimensions	Bag	Carton	Price
707016	16x1/2"x16	10	80	4.92
707020	20x1/2"x20	10	60	6.07
707120	20x3/4"x20	10	50	7.23
707026	26x3/4"x26	5	30	9.71
707032	32x1"x32	5	20	13.45
707040	40x1-1/4"x40	2	10	38.22
707050	50x1-1/2"x50	2	6	85.21



BRASS TEE

Code	Dimensions	Bag	Carton	Price
700910	16x16x16	10	60	4.16
700911	20x20x20	10	50	5.63
700912	26x26x26	5	25	10.03
700913	32x32x32	5	20	14.07
700914	40x40x40	2	10	39.48
700915	50x50x50	1	6	89.39



REDUCED BRASS TEE

Code	Dimensions	Bag	Carton	Price
701900	16x20x16	10	50	6.16
701901	20x16x16	10	50	6.16
701902	20x16x20	10	50	6.16
701903	20x20x16	10	50	6.16
701904	20x26x20	5	25	10.49
701905	26x16x26	5	25	10.49
711905	26x16x20	5	25	10.49
701906	26x20x16	5	25	10.49
701907	26x20x20	5	25	10.49
701990	26x20x26	5	25	10.49
701991	26x26x16	5	25	10.49
701992	26x26x20	5	25	10.49
701993	26x32x26	5	20	14.96
701994	32x16x32	5	25	14.96
701908	32x20x20	5	25	14.96
701909	32x20x26	5	25	14.96
701910	32x20x32	5	20	14.96
702990	32x26x20	5	20	14.96
702991	32x26x32	5	20	14.96
702992	32x26x26	5	20	14.96
702993	32x32x26	5	20	14.96
702994	40x20x40	2	10	37.05
702995	40x26x40	2	10	37.05
701911	40x32x40	2	10	37.05
702996	40x32x32	2	10	37.05
702997	40x40x32	2	10	55.46
701912	50x20x50	1	6	55.46
702998	50x40x40	1	6	55.46
702999	50x26x50	1	6	55.46
713001	50x32x50	1	6	55.46
701913	50x40x50	1	6	55.46



BRASS ELBOW EXTERNAL THREAD

Code	Dimensions	Bag	Carton	Price
700000	16x1/2"	10	100	2.80
700001	20x1/2"	10	100	3.67
711001	20x3/4"	10	80	4.63
700002	26x1"	5	40	8.96
711002	26x3/4"	5	50	5.94
700003	32x1"	5	35	8.98
700004	40x1-1/4"	5	15	26.73
700005	50x1/1/2"	3	9	53.80



BRASS ELBOW INTERNAL THREAD

Code	Dimensions	Bag	Carton	Price
700010	16x1/2"	10	100	2.55
700011	20x1/2"	10	80	3.40
711012	20x3/4"	10	70	5.85
700013	26x1"	5	40	6.06
711014	26x3/4"	5	50	11.93
700015	32x1"	5	30	9.12
700016	40x1-1/4"	5	15	31.30
711017	50x1/1/2"	2	10	52.76



BRASS ELBOW

Code	Dimensions	Bag	Carton	Price
710000	16x16	10	100	3.26
710002	20x20	10	80	4.06
710001	26x26	5	40	6.61
710003	32x32	5	30	9.99
710004	40x40	2	16	24.96
710005	50x50	2	8	50.28



BRASS WALLPLATE ELBOW, INTERNAL THREAD

Code	Dimensions	Bag	Carton	Price
700110	16x1/2"	10	60	5.05
700111	20x1/2"	10	50	6.32
700112	20x3/4"	5	40	10.14
700113	26x3/4"	5	40	10.91



BRASS FITTING, INTERNAL THREAD

Code	Dimensions	Bag	Carton	Price
703710	16x1/2"	10	150	2.23
703711	16x3/4"	10	120	3.88
703712	20x1/2"	10	120	2.87
703713	20x3/4"	10	100	3.53
703714	26x3/4"	5	60	4.42
703715	26x1"	5	60	6.27
703716	32x1"	5	50	6.61
703717	40x1-1/4"	5	25	21.10
703718	50x1-1/2"	2	20	35.19



BRASS COUPLING, FEMALE THREAD WITH FLAT O-RING

Code	Dimensions	Bag	Carton	Price
700610	16x1/2"	10	150	2.96
700611	16x3/4"	10	120	3.88
700612	20x1/2"	10	120	5.49
700613	20x3/4"	10	120	4.35
700614	26x3/4"	5	60	15.30
700615	26x1"	5	60	17.48
700616	32x1"	5	50	18.47



BRASS CONNECTOR WITH EXTERNAL THREAD

Code	Dimensions	Bag	Carton	Price
700710	16x1/2"	10	150	1.94
700711	16x3/4"	10	250	4.31
700712	20x1/2"	10	120	2.35
700713	20x3/4"	10	100	3.19
700714	26x3/4"	5	80	4.08
700715	26x1"	5	60	4.16
700716	32x1"	5	50	5.79



BRASS REDUCED CONNECTOR

Code	Dimensions	Bag	Carton	Price
700510	20x16	10	100	2.96
700512	26x16	5	80	4.56
700511	26x20	5	70	4.56
700513	32x16	5	60	9.56
700514	32x20	5	60	9.56
700515	32x26	5	50	7.07
700516	40x20	5	30	29.21
700517	40x26	5	30	31.52
700518	40x32	5	30	31.52
700519	50x20	2	14	31.52
700520	50x26	2	14	43.69
700521	50x32	2	14	41.39
700522	50x40	2	14	45.62



BRASS CONNECTOR

Code	Dimensions	Bag	Carton	Price
700410	16x16	10	20	2.46
700411	20x20	10	20	3.01
700412	26x26	5	20	4.79
700413	32x32	5	20	7.66
700414	40x40	1	20	18.63
700415	50x50	1	20	40.09



SET OF 2 BRASS WALLPLATE ELBOW WITH 150MM BRACKET

Code	Dimensions	Bag	Carton	Price
702000	16x1/2"	1	15	9.35
702001	20x3/4"	1	15	11.13
702002	26x3/4"	1	15	23.47



BRASS DOUBLE WALLPLATE ELBOW, INTERNAL THREAD

Code	Dimensions	Bag	Carton	Price
700210	16x1/2"	1	15	24.87
700211	20x1/2"	1	15	25.61



IN-WALL CHROME VALVE

Code	Dimensions	Bag	Carton	Price
701000	16x16	1	20	32.63
701001	20x20	1	20	33.61
701002	26x26	1	20	36.69



* The prices expressed in this catalog are in Euro, without VAT!

ASSENS®
Listen to your senses

CATALOG 2026

EN 